



AUVA Platform Manual

Introduction

Thank you for choosing the AUVA Platform. Designed to deliver the highest level of vibration isolation for high-performance audio equipment, it combines precision-engineered compliant feet, internal AUVA particle impact damping chambers, and a carefully developed structure.

Each AUVA Platform is manufactured in-house in the UK with a strong focus on precision, consistency, and long-term performance, providing a stable and refined foundation for your system.

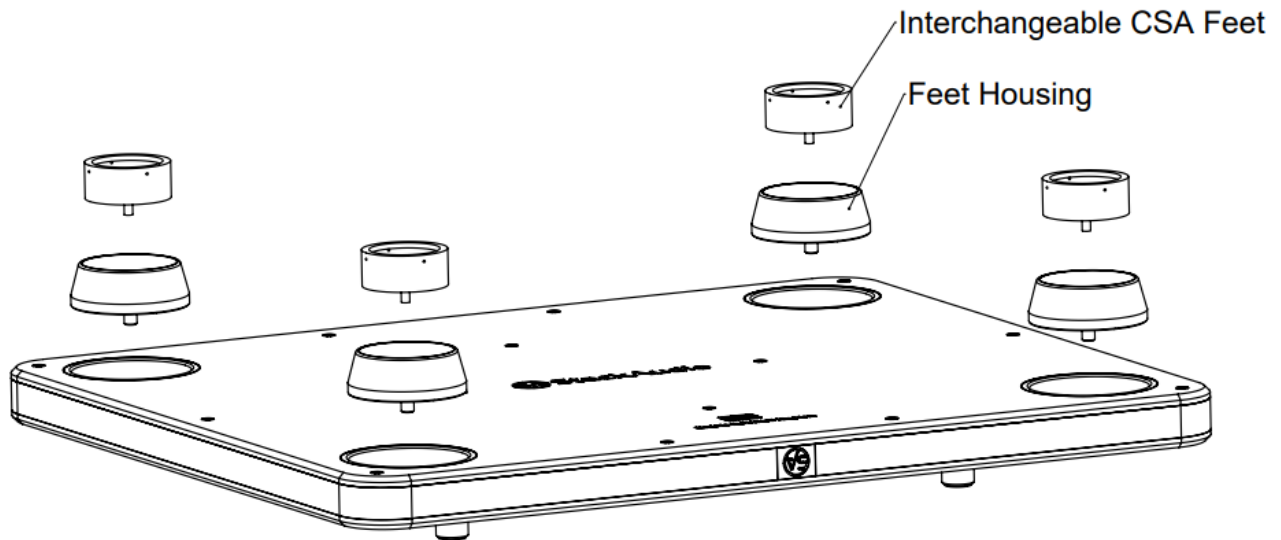
Using Your AUVA Platform

This guide outlines the recommended setup, configuration, and care of your AUVA Platform. Following these guidelines will help you achieve the best possible performance and ensure long-term reliability.

What's Included

- 1 × AUVA Platform
- 4 × Adjustable metal feet (CSA housings)
- 4 × CSA insert sets: CSA 2, CSA 2.4, CSA 2.7, CSA 3
- 4 × Pillars (studs)
- 1 × Microfiber cleaning cloth
- 1 × Pair of cotton gloves

Setup



1. Configure the Feet (CSA Inserts)

- Select the appropriate CSA inserts based on the weight of your equipment.
- Ensure all four feet use the same CSA type.
- Install the CSA inserts securely into each foot housing before use.
- A light lubricant may be visible on the feet. This is normal.
- Selecting the wrong feet may cause the platform to buckle

CSA Load Guide (Equipment Weight)

- CSA 2 – up to 31 kg (68 lbs)
- CSA 2.4 – 32–61 kg (70–134 lbs)
- CSA 2.7 – 62–76 kg (137–167 lbs)
- CSA 3 – 77–100 kg (170–220 lbs)

2. Position the Platform

- Place the platform on a stable, flat surface.
- Ensure the surface itself is rigid and well supported.

3. Level the Platform

- Use a spirit level placed on top of the platform.
- Adjust the metal outer feet using the fine-pitch threaded mechanism.
- Do not attempt to adjust the CSA inserts themselves.
- Make small adjustments to each foot until level is achieved.
- Re-check level after 24–48 hours, as equipment and materials may settle slightly.

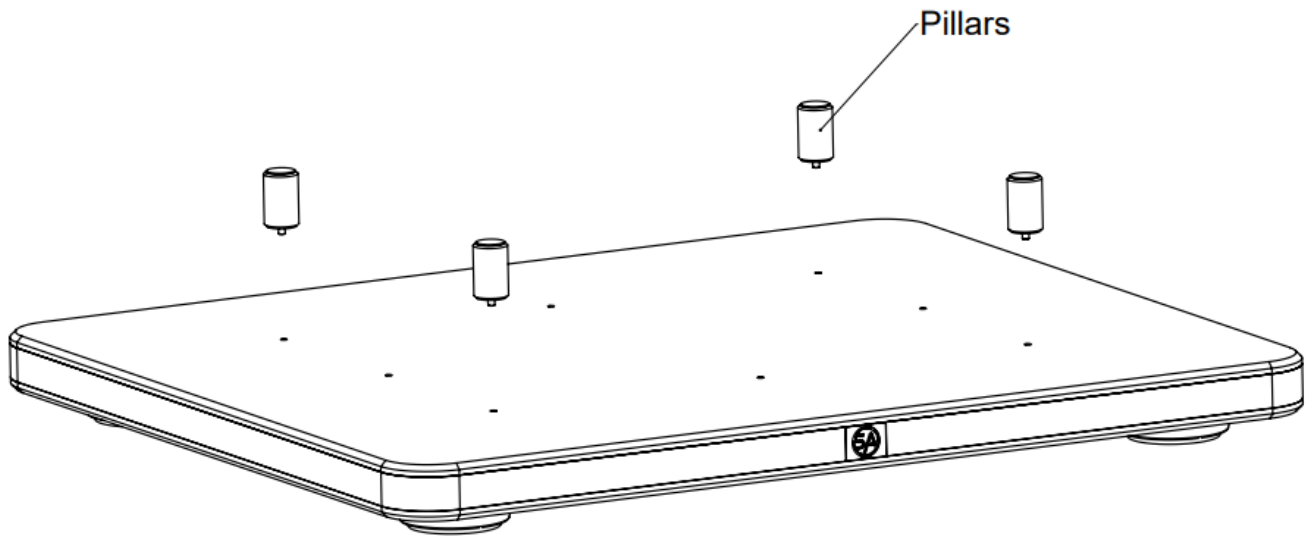
4. Place Your Equipment

- Carefully lower your equipment onto the platform.
- Do not drag equipment across the surface.

Optional – Using Pillars

- Pillars (studs) can be installed to raise your equipment slightly above the platform.

- When used, the pillars allow the platform to make more direct contact with the underside of the equipment chassis.
- This can help reduce the influence of the component's existing feet.
- Pillars must be fully screwed down before use.
- If not fully tightened, they may become damaged and could cause damage to the platform or your equipment.
- Pillars are not designed for height adjustment.



Care & Maintenance

- Use only a dry microfiber or lint-free cloth.
- Do not use water or solvents, as this may damage the wood and surface finish.
- Avoid prolonged exposure to direct sunlight, as this may affect the veneer and finish over time.

Handling & Surface Protection

- Components with sharp or metal feet may mark the surface.
- Take care when positioning equipment, or use a protective interface if required.
- Always lift the platform from its main body.
- Do not lift or carry the platform using the feet.

Environmental Guidance

- Avoid prolonged exposure to direct sunlight.
- Avoid high humidity or damp environments.
- Avoid placing the platform near direct heat sources.

Safety

- Ensure the platform is always placed on a stable, level surface.
- Do not place unstable or top-heavy equipment on the platform.
- Do not exceed the specified weight capacity.
- Keep liquids away from the platform.
- This product is not designed to be stood on or used as a step.

Disassembly

- Under no circumstances should the platform be disassembled.

- Do not remove screws or attempt to take the platform apart.
- Doing so will void the warranty.

Warranty

- The AUVA Platform is covered by a limited lifetime warranty against manufacturing defects in materials and workmanship.
- This warranty applies to structural components of the platform.

The following are not covered:

- CSA (rubber) inserts
- Surface wear or cosmetic changes over time
- Damage caused by misuse, improper setup, or failure to follow instructions
- Damage caused by liquids, environmental exposure, or incorrect handling
- Any damage resulting from disassembly or modification

Disclaimer

- Stack Audio accepts no responsibility for damage to equipment or property resulting from improper setup, misuse, or failure to follow the guidance in this manual.
- The user is responsible for ensuring correct installation, safe use, and appropriate load matching of the product.

Support

Email: info@stackaudio.co.uk

Website: www.stackaudio.co.uk